



## Patch Panels (ODF)

### DIN Box · DIN 6-12 Ports · Light Gray

6 / 12 fibres

SC | LC | ST | FC compatibility

LightMax<sup>®</sup> DIN Rail Fiber optic terminal boxes are available for distribution and terminal connection on a variety of optical fibre systems and they are especially suitable for mini-network terminal distribution, in which the optical cables, patch cores or pigtails are connected.

#### Features

- Aluminum, electrostatic painting.
- SC, LC, FC & ST adapters compatibility.
- 2 cable entry/exit ports.
- 6 (or 12) pigtail entry/exit ports.
- Splice tray for 6 (or 12) fibres .

#### Application

- Suitable for Pigtail, ribbon and bunch cable connect distribution.
- Wall-mounted applications.
- FTTH, Telecommunications, CATV.
- Integration with industrial DIN rail installations.

| FRONT PLATE ADAPTERS |             |         |             |
|----------------------|-------------|---------|-------------|
| SPDIN12              |             | SPDIN24 |             |
| 6                    | SC-LC Sx-Dx | 6       | SC Dx       |
| 6                    | SC Dx       | 12      | SC-LC Sx-Dx |
| 6                    | FC / ST Sx  | 12      | FC / ST Sx  |

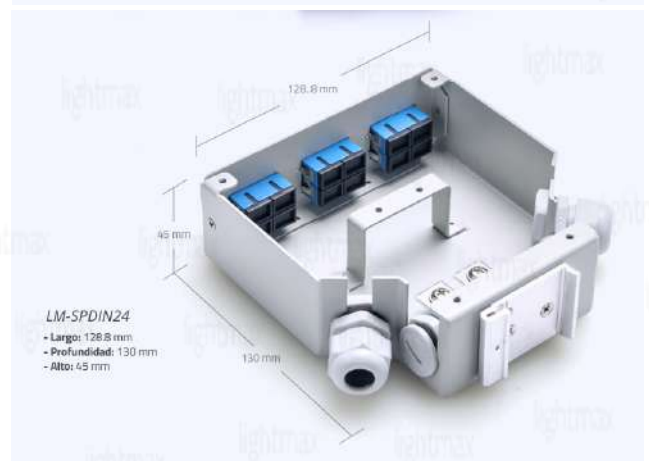


LM-SPDIN12

LM-SPDIN24

[Pictures for reference purposes only]

#### Dimensions





| SPECIFICATIONS                    |    |                            |                            |
|-----------------------------------|----|----------------------------|----------------------------|
|                                   |    | SPDIN12                    | SPDIN24                    |
| Thickness                         | mm | 1.2                        | 1.5                        |
| Material                          | –  | Aluminum                   |                            |
| Dimensions                        | mm | 130 x 130 x 35             | 130 x 130 x 45             |
| Colour                            | –  | Grey RAL7035               |                            |
| Surface finish                    | –  | Fine sand                  |                            |
| Operation temperature             | °C | -20 ~ 80                   |                            |
| Weight                            | g  | 350                        | 380                        |
| Splice capacity                   | –  | Max 6 cores                | Max 12 cores               |
| Cable glands                      | mm | M22 for 10 ~ 13            | M20 for 6 ~ 11             |
| Front panel plates <sup>(1)</sup> | –  | 1 x SC simplex / LC duplex | 1 x SC simplex / LC duplex |
|                                   | –  | 1 x SC duplex              | 1 x SC duplex              |
|                                   | –  | 1 x FC/ST duplex           | 1 x FC/ST duplex           |

[Plates and adapters not included]

**Some configurations for LM-SPDIN boxes**



6 SC Duplex



6 SC Simplex



12 LC Duplex



12 SC Simplex



12 ST

| Part Numbers |            |
|--------------|------------|
| LM-SPDIN12   | LM-SPDIN24 |

| Adapter Plates' Part Numbers <sup>(1)</sup> |                                   |
|---------------------------------------------|-----------------------------------|
| 6 port Rail DIN Box   LM-SPDIN12            | 12 port Rail DIN Box   LM-SPDIN24 |
| PLA06SCSDIN                                 | PLA06SCDDIN24                     |
| PLA06SCDDIN                                 | PLA12LCD/SCSDIN                   |
| PLA06STSDIN                                 | PLA12STSDIN                       |

Rel. 3-EN/APR22